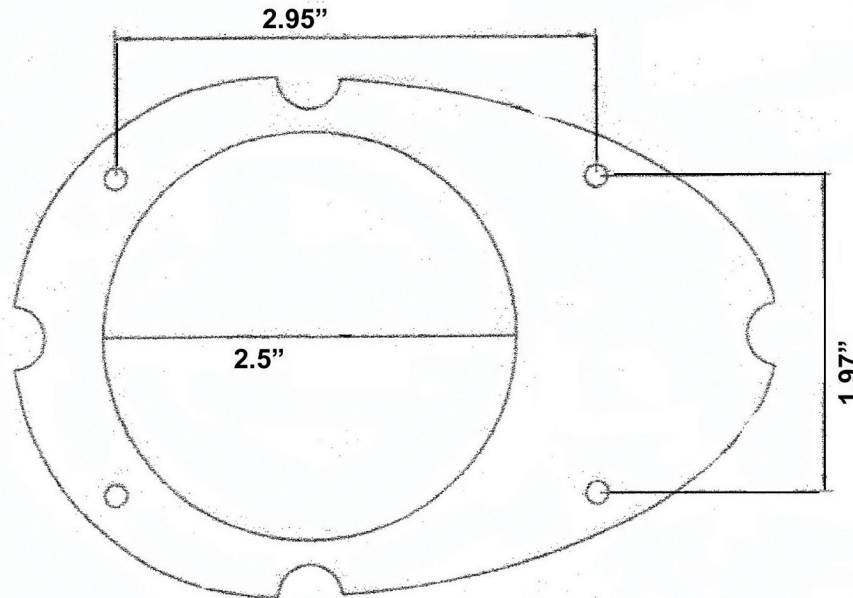


Spa25 Speaker

Install Guide



May Not Be To Scale

- 1- Find a flat location for speaker placement
- 2- Use template dimensions for proper spacing
- 3- Cut 2.5" hole
- 4- Position speaker & mark screw holes
- 5- Drill 1/16" pilot holes for the screws
- 6- Position U-clip nut over end of screws & tighten, if needed
- 7- Connect pos. wire (+) to pos. tab (marked white or red)
- 8- Connect neg. wire (-) to neg. tab
- 9- Apply bead of non-caustic sealant to rear speaker flange (if desired)
- 10- Secure speaker with provided hardware

NOTE: Do Not Allow Silicone Sealant to Squeeze or Make Contact w/ Rear of Speaker Cone

Specifications

Power: 30WMax

Imp: 4 ohm

Wt. <1#

Mounted Depth : 1.4"

IP65 / REACH / RoHS / CE



Morro Bay, CA 93442

805.794.6475

www.pqnaudio.com

Warranty Policy

PQN Audio products are warranted to be free of manufacturing defects for a period of one (1) year. Warranty is subject to proper installation & application. Warranty does not cover exposure to excessive chemical usage or operational abuse. Return defective product prepaid to point of purchase for replacement or refund as determined by PQN. Warranty is not transferable. Proof of Purchase must be included.

